

# LARGE-VOLUME TWO-CHAMBER ROTARY VALVE

The system offers maximum operational reliability and innovative efficiency, with no risk of burn-back

**NEW**

**Open designed chambers & energy saving motor only 0,25 kW!**

Pos.1



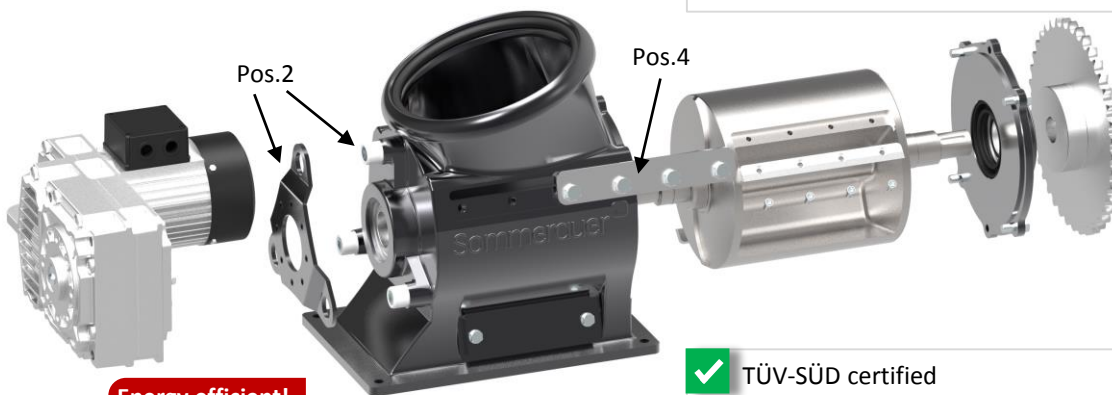
## MAXIMUM SAFETY WITH INNOVATIONS

In contrast to alternative single-chamber rotary valves, this sophisticated, large-volume, two-chamber system ensures the important continuous material transport into the combustion zone. With this optimum dosage of the fuel, ideal combustion values are achieved.

- ✓ Rotary valve with large-volume dual-chamber technology for 100% burn-back safety (Pos.1)
- ✓ Triple torque support (three-point bearing) with integrated noise absorbing attachments (Pos.2). Torsion of the rotary valve motor and noise are silently avoided
- ✓ Continuous and trouble-free material transport guaranteed by two-chamber technology (Pos.3)
- ✓ With the exchangeable and hardened cutting edges (Pos.4) it is very energy-saving and efficient
- ✓ Low wear and energy consumption, especially for coarse wood chips (up to P31S, formerly G50)



Pos.3



**Energy efficient!**  
only **0,25 kW**  
drive power

- ✓ Big filling volume (4 litres) of the transport chambers
- ✓ Low power requirement (low energy consumption) and quiet operation, as the motor (0.25 kW) of the stoker auger also drives the rotary valve
- ✓ TÜV-SÜD certified
- ✓ With large sealing surfaces highest burn-back safety
- ✓ With 200 mm one of the largest rotor diameters on the market
- ✓ Modular cleaning bars, for removal of fuel dust at the rotor

## ALTERNATIVE SYSTEMS

**✗** If an alternative system has a rotary valve with e.g. a single-chamber system, it could be that this does not ensure continuous material transport. Thus, it is possible that no optimal metering of the fuel into the combustion zone is achieved. As a result, it is possible that optimal combustion values cannot be achieved. If two-chamber systems are used that use pocket-shaped cast chambers, it could be that coarse pieces of wood get wedged in the narrow gaps and reduce the filling volume of the chambers. This could lead to smaller chambers (smaller filling volume) and uneven material transport, which can contribute to poorer combustion values. Furthermore, the pockets could become clogged, causing the material transport to stop and the heating system to shut down automatically with an error message.